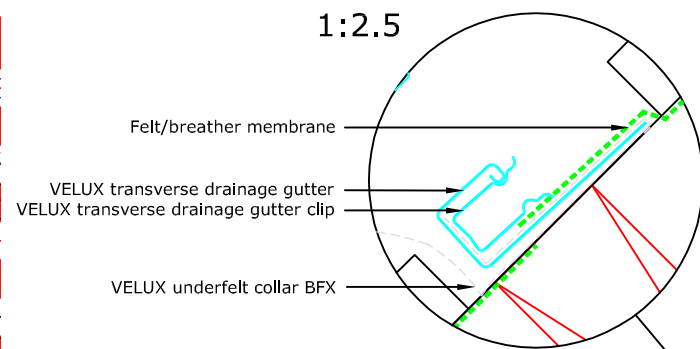
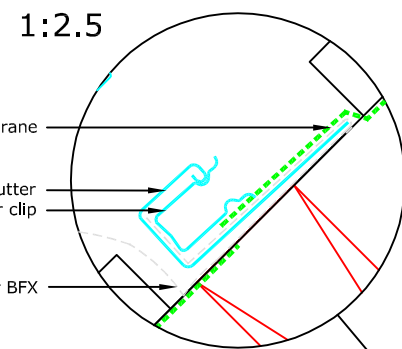


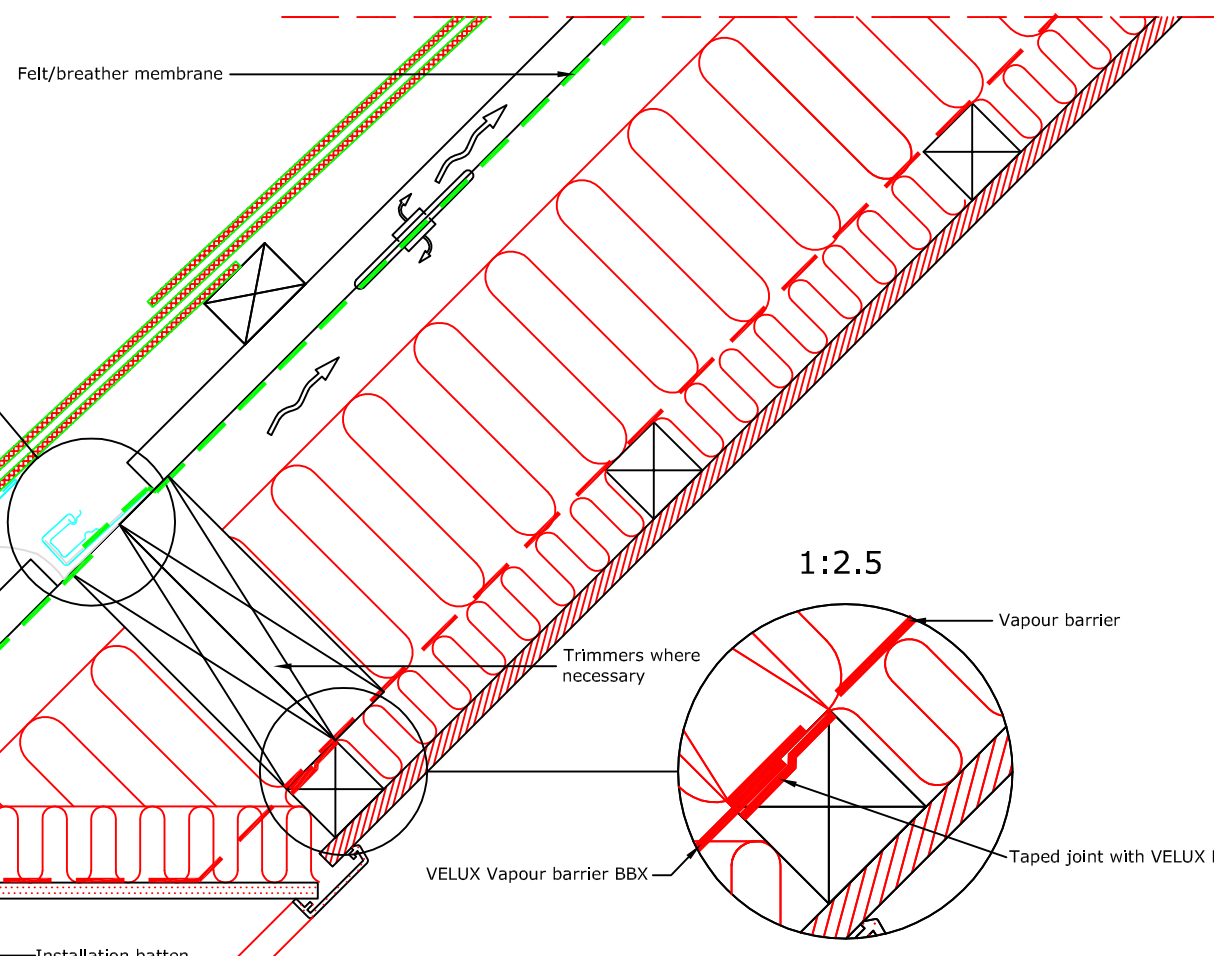
TYPICAL ELEVATION



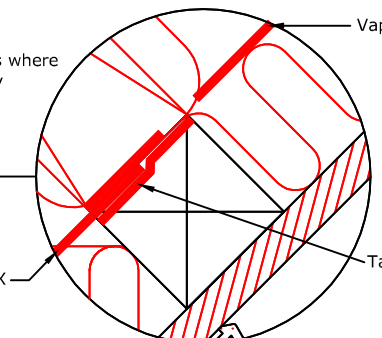
Section A-A
1:5



1:2.5
VELUX underfelt collar BFX
VELUX EDL Gutter
60-100 mm
25 mm

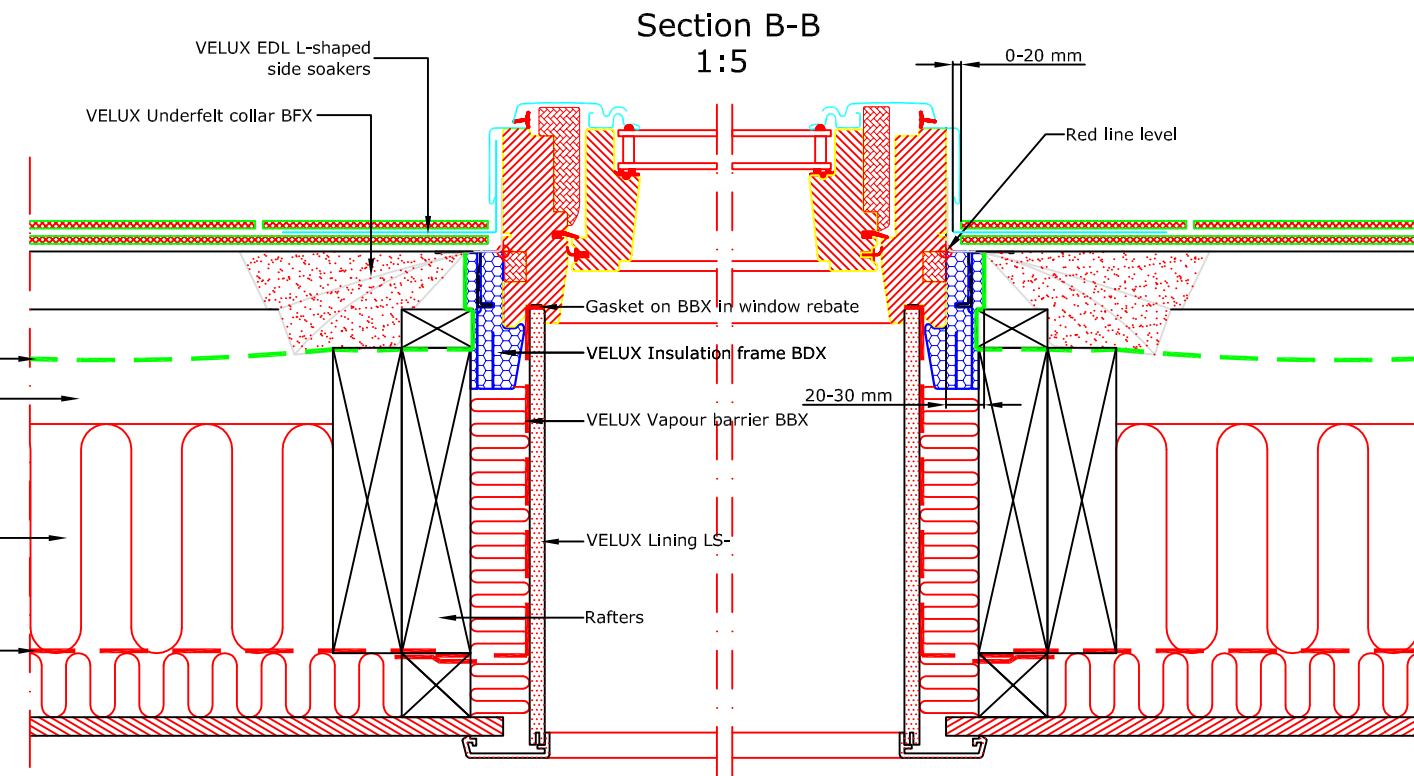
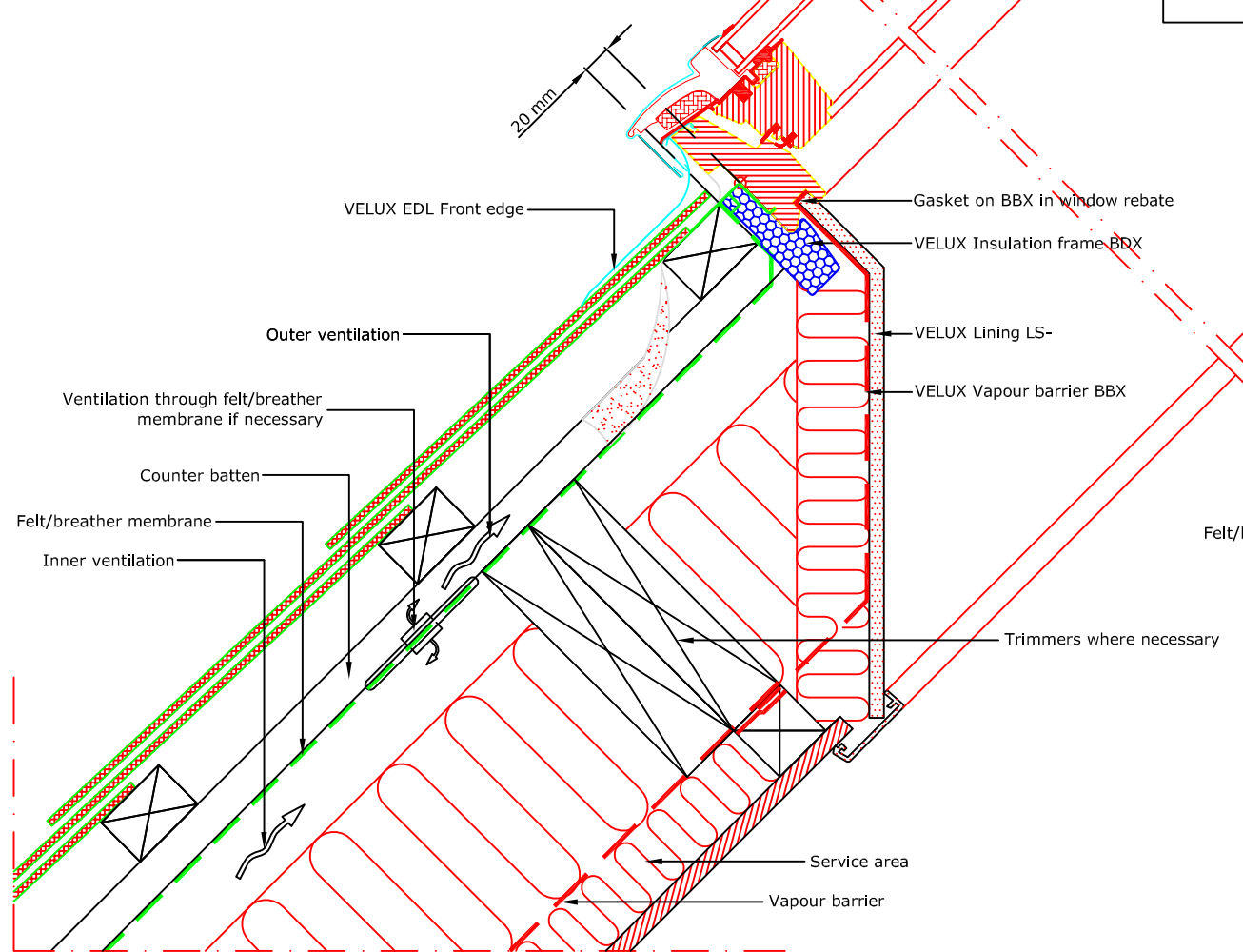


1:2.5



1:2.5
VELUX Vapour barrier BBX
Taped joint with VELUX BBX tape

- VELUX Products:
- GGL 15°-90°
 - EDL 15°-90°
 - BFX
 - BDX
 - BBX
 - LS-
- Roof covering:
- SLATES < 8 mm



Section B-B
1:5



VELUX Company Ltd
Woodside Way
Glenrothes, Fife KY7 4ND
tel: +44 (0) 1592 778 225

VELUX centre-pivot roof window
GGL single installation into natural slate
EDL flashing kit - standard install into natural slate up to 8mm thick
All dimensions are in millimetres where shown

NOTE! When installing VELUX roof windows, flashings and accessories, please ensure compliance with building regulations and British/European standards where necessary. This detail represents the principles of a typical installation only and the design and specification of the final detail is the responsibility of others.

Latest revision:

Date: **January 2014**
Rev no:
Rev date:
Drawn: **PJH**

File name:
GGL-EDL-0114-1004
Scale: **1:5 approx. @ A3**